

# Decorative Grilles

## DG Series

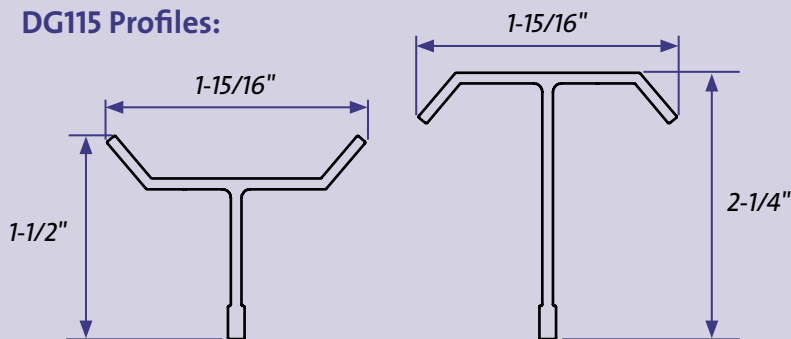


## DG115 Features & Benefits:

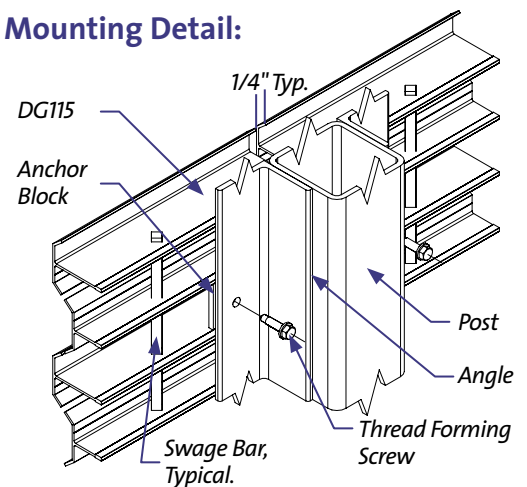
- Manufactured using 6000 series alloy aluminum blade extrusions.
- Designed to emulate popular metal façades while maintaining a lightweight, economical and weather resistant construction.
- Capable of clear spans up to 96" at a 40 PSF load.
- Available in multiple configurations to allow for different percentages of visual block and open area.
- A channel frame can be provided for installation into façade openings.
- Custom spacing & finishes available.
- Extremely versatile – can be used for fences, gates, privacy screens, sunshades and drainable canopy infills.
- Meets LEED requirements for MR4.2 (20% recycled content)
- Made in USA

Ohio Gratings DG products are made from fixed aluminum blades and are ideal for applications that require visual screening, enhanced security, and architectural accents.

### DG115 Profiles:



### Mounting Detail:



*The profile and spacing of the DG115 matches standard corrugated metal sheets. This extends the sight lines of these elements in a free standing feature on the roof top of a building or at grade.*



**OGI Architectural Metal Solutions**  
an Ohio Gratings Company

5299 Southway Street SW ■ Canton, OH 44706 ■ [www.ohiogratings.com](http://www.ohiogratings.com)

1-800-321-9800 ■ Fax 330-477-7872



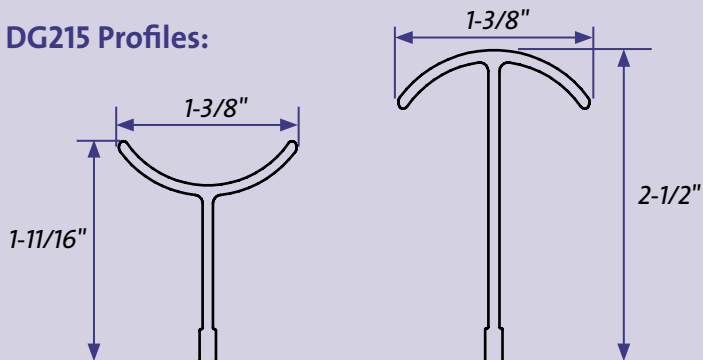
# Decorative Grilles

## DG Series



Ohio Gratings DG products are made from fixed aluminum blades and are ideal for applications that require visual screening, enhanced security, and architectural accents.

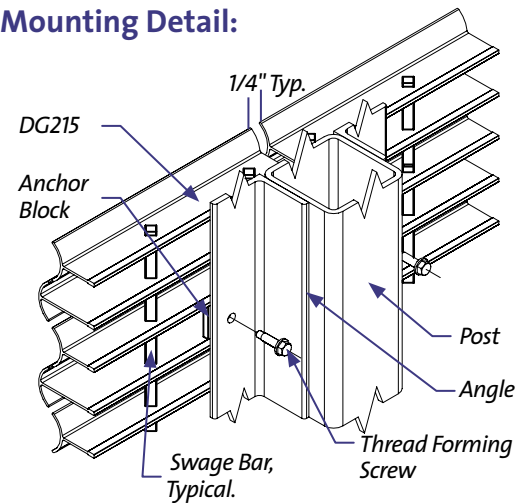
### DG215 Profiles:



## DG215 Features & Benefits:

- Manufactured using 6000 series alloy aluminum blade extrusions.
- Designed to emulate popular metal façades while maintaining a lightweight, economical and weather resistant construction.
- Capable of clear spans up to 96" at a 40 PSF load.
- Available in multiple configurations to allow for different percentages of visual block and open area.
- A channel frame can be provided for installation into façade openings.
- Custom spacing & finishes available.
- Extremely versatile – can be used for fences, gates, privacy screens, sunshades and drainable canopy infills.
- Meets LEED requirements for MR4.2 (20% recycled content)
- Made in USA

## Mounting Detail:



*The curves of the DG215 are intended to offer a softer geometry that still brings depth and a unique character.*



**OGI Architectural Metal Solutions**  
an Ohio Gratings Company

5299 Southway Street SW ■ Canton, OH 44706 ■ [www.ohiogratings.com](http://www.ohiogratings.com)

1-800-321-9800 ■ Fax 330-477-7872

