

Vent Grilles

VG Series

PANEL WIDTH (UP TO 6' IN LENGTH)

PANEL SPAN DIRECTION



Features & Benefits:

- Manufactured using 304 or 316 stainless steel alloy.
- VG materials are pressure locked into place limiting any welds to the perimeter of the grilles leaving a flawless exposed surface.
- Attachment through support angle if required.
- With several different frame, mounting and support options the VG grilles are very adaptable to most installations.
- Typical finish is sandblasted.
- A special #4 brushed finish is also available upon request.
- Linear or radial wire alignment where required.
- Miter corners & custom radial end cuts as needed.

OGi VG Series has many potential applications. Typically used in mechanical HVAC systems for venting, the VG series can also be used as drain and trench grates along building interiors and exteriors, fountains, security screening, entranceway/walk off mats, or ADA pedestrian walkways. These grilles are functional and achieve ultimate aesthetic results.



OGi Architectural Metal Solutions
an Ohio Gratings Company

5299 Southway Street SW ■ Canton, OH 44706 ■ www.ohiogratings.com

1-800-321-9800 ■ Fax 330-477-7872

Vent Grilles

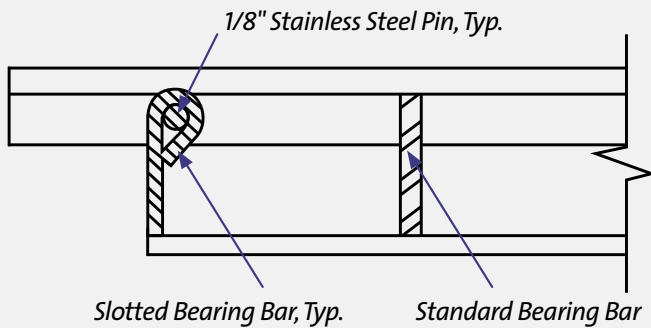
VG Series



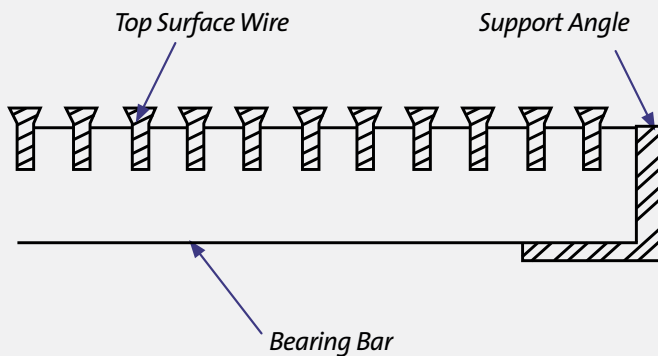
VG Series Components:

- Bearing Bar
- Top Surface Wire
- Slotted Bearing Bar & Pin
- Formed Pans - Optional
- Support Angles

CRIMPED BEARING BAR AND PIN DETAIL



PROFILE WIRE DETAIL & EDGE CONDITION DETAIL



OGI Architectural Metal Solutions
an Ohio Gratings Company

5299 Southway Street SW ■ Canton, OH 44706 ■ www.ohiogratings.com

1-800-321-9800 ■ Fax 330-477-7872

