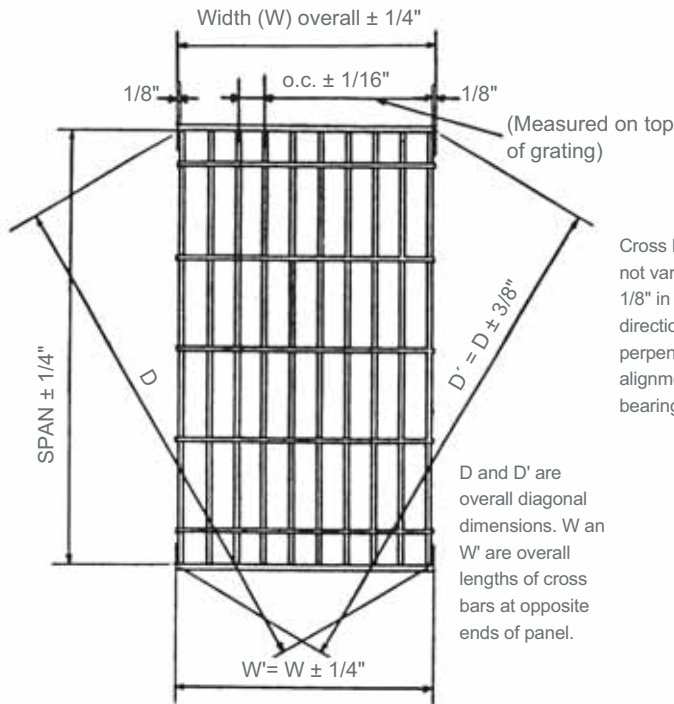


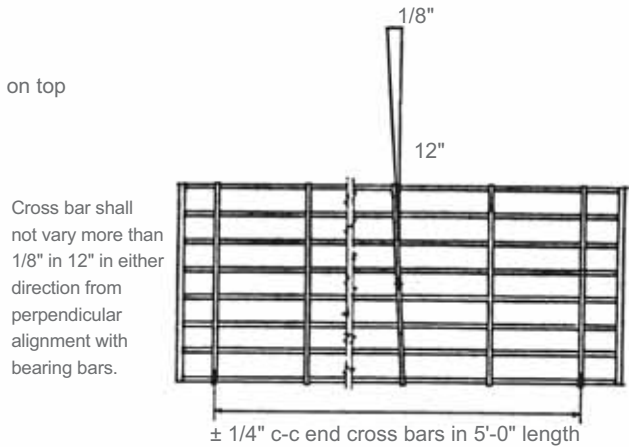
GRATING TOLERANCES

Heavy Duty Steel Grating

Overall Dimensions and Squareness



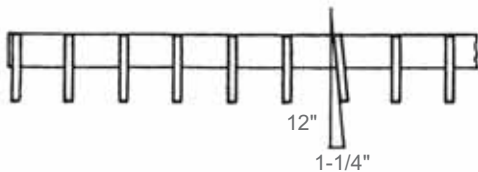
Cross Bar Alignment and Spacing



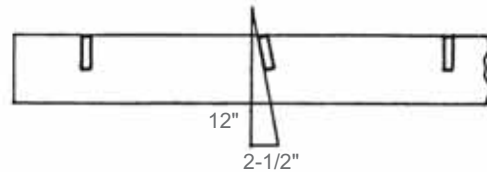
Cross Bar Location



Bearing Bar Lean

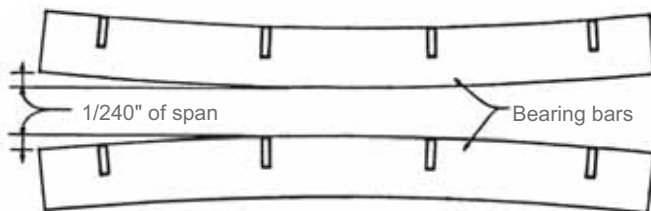


Cross Bar Lean



Longitudinal Bow

(Before fastening to supports)



Transverse Bow

(Before fastening to supports)

