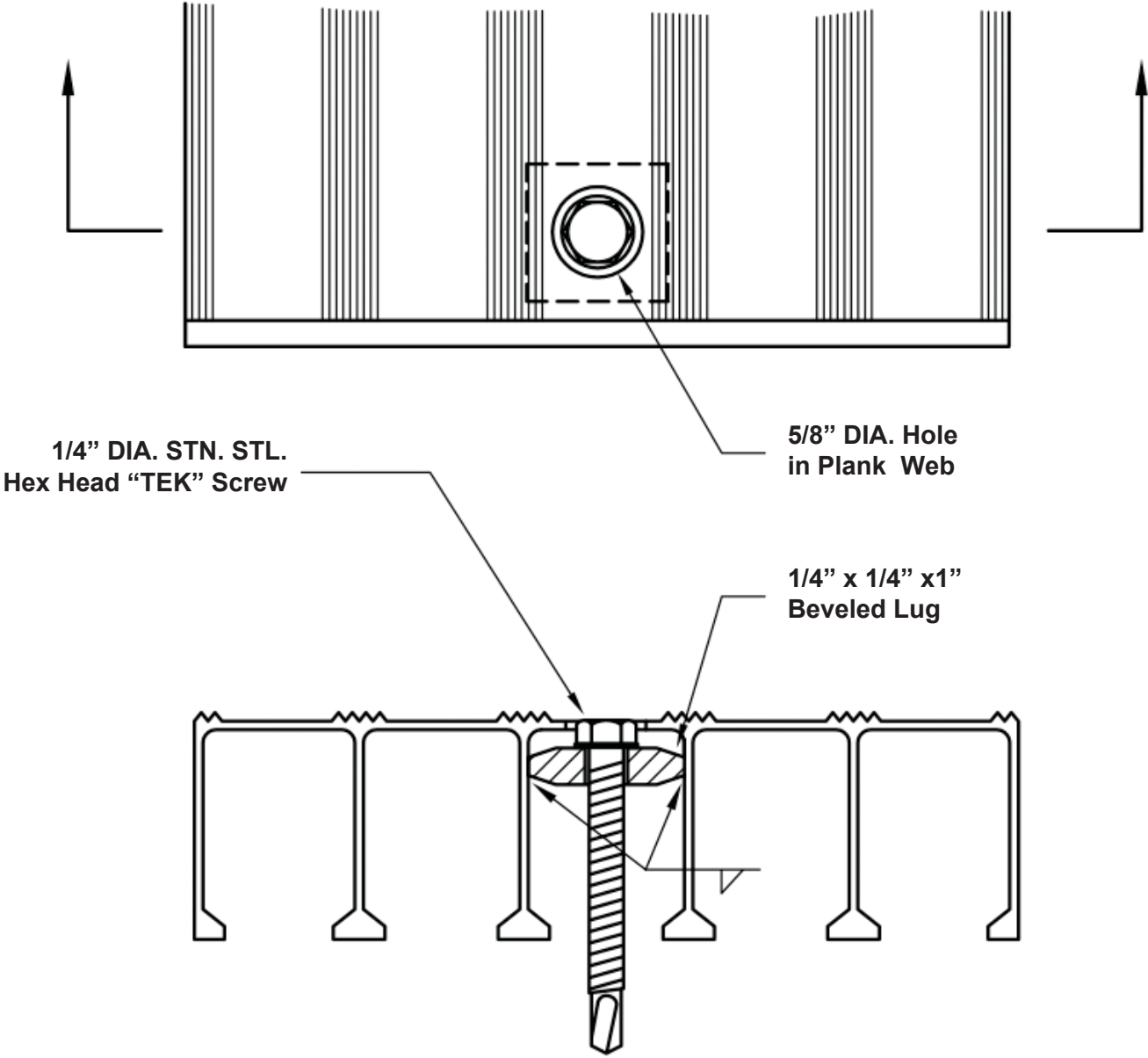


ADA PUNCHED FASTENER DETAIL

Aluminum Plank

This fastening device is used for punched patterns, primarily ADA.



PLANK LUG DETAIL
(4) Required Per Panel